



DC axial fans

Series 4300 NU 119 x 119 x 32 mm



DC axial fans

Series 4100 NU 119 x 119 x 38 mm



Highlights:

- Motor protection against reverse polarity and locking.
- Air exhaust over struts
- Connection via 310 mm strands AWG 22, TR 64, bared and tin-plated
- Ingress protection rating of IP68

Material: Housing: Fiberglass-reinforced PBT composite
Impeller: Fiberglass-reinforced PA composite

Direction of rotation: Clockwise, seen on rotor



Highlights:

- Motor protection against reverse polarity and locking.
- Air intake over struts
- Connection via 310 mm strands AWG 22, TR 64, bared and tin-plated
- Ingress protection rating of IP68

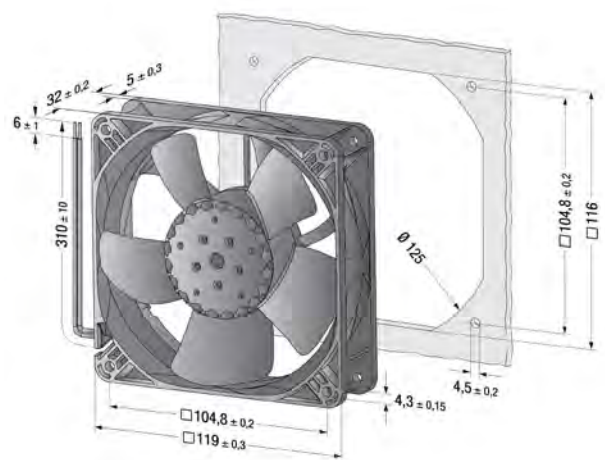
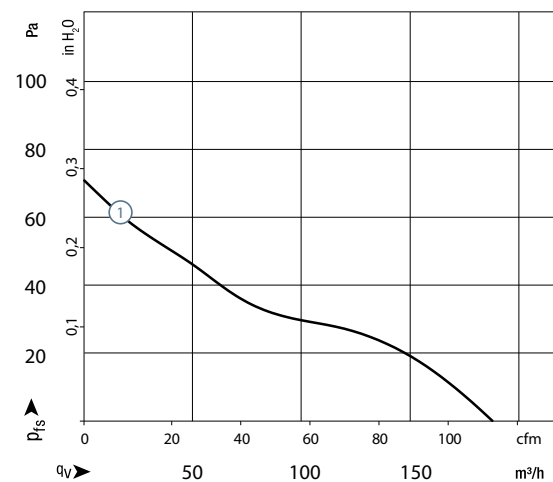
Material: Housing: Die-cast aluminum
Impeller: Fiberglass-reinforced PA composite

Direction of rotation: Clockwise, seen on rotor

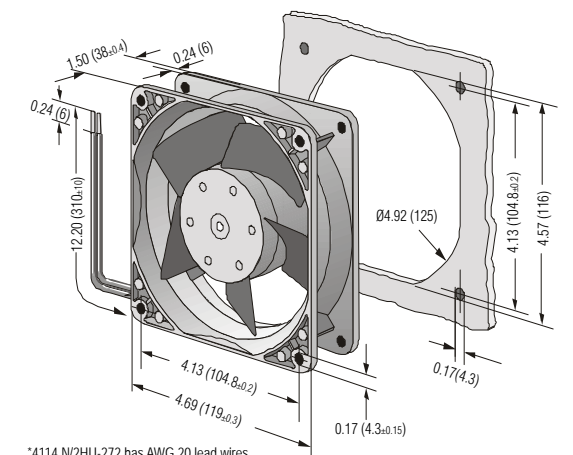
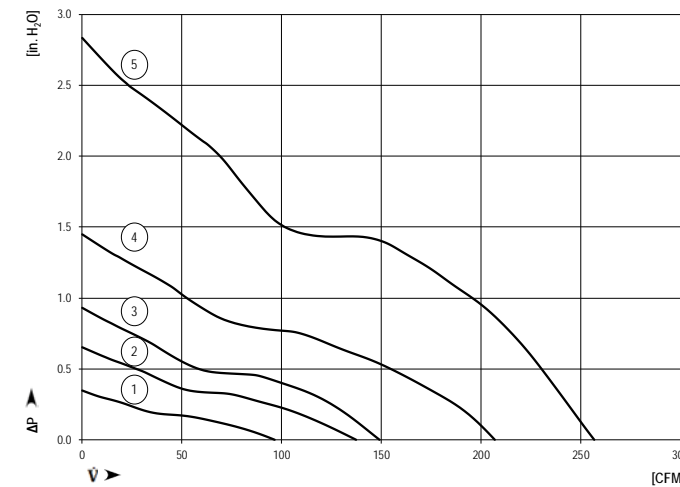
| Nominal Data | Air flow | Nominal voltage | Voltage range | Sound pressure level | Sound power level | Ball bearings | Power input | Speed | Temperature range | Mass | Ingress Protection Rating | UL Approval | Curves |
|--------------|----------|-----------------|---------------|----------------------|-------------------|---------------|-------------|-------|-------------------|------|---------------------------|-------------|--------|
| | | | | | | | | | | | | | |
| | | | | | | | | | | | | | |
| 4312 NNU | 112 | 12 | 6...15 | 41 | 5.5 | Yes | 4.0 | 2700 | -20...75 | 250 | IP68 | Yes | 1 |
| 4314 NNU | 112 | 24 | 12...28 | 41 | 5.5 | Yes | 4.0 | 2700 | -20...75 | 250 | IP68 | Yes | 1 |

| Nominal Data | Air flow | Nominal voltage | Voltage range | Sound pressure level | Sound power level | Ball bearings | Power input | Speed | Temperature range | Mass | Ingress Protection Rating | UL Approval | Curves |
|-----------------|----------|-----------------|---------------|----------------------|-------------------|---------------|-------------|-------|-------------------|------|---------------------------|-------------|--------|
| | | | | | | | | | | | | | |
| 4112 N/2HU | 134.0 | 12 | 8...14 | 57.0 | 6.5 | Yes | 11.0 | 4400 | -20...55 | 400 | IP68 | Yes | 2 |
| 4114 NXU** | 99.0 | 24 | 12...29 | 48.5 | 5.7 | Yes | 5.6 | 3200 | -20...75 | 400 | IP68 | Yes | 1 |
| 4114 NU | 99.0 | 24 | 12...29 | 48.5 | 5.7 | Yes | 5.6 | 3200 | -20...75 | 400 | IP68 | Yes | 1 |
| 4114 NHU-295 | 134.0 | 24 | 16...30 | 57.0 | 6.5 | Yes | 11.0 | 4400 | -20...55 | 400 | IP68 | Yes | 2 |
| 4114 N/2HU-272* | 134.0 | 24 | 12...25 | 57.0 | 6.5 | Yes | 11.0 | 4400 | -20...55 | 400 | IP68 | Yes | 2 |
| 4114 NXHHU** | 153.0 | 24 | 12...28 | 60.0 | 7.0 | Yes | 13.6 | 4900 | -20...55 | 400 | IP68 | Yes | 3 |
| 4114 N/2H6PU | 256.0 | 24 | 16...30 | 73.0 | 8.1 | Yes | 65.0 | 8400 | -20...65 | 390 | IP68 | Yes | 5 |
| 4114 N/2H6AU | 256.0 | 24 | 16...30 | 73.0 | 8.1 | Yes | 65.0 | 8400 | -20...65 | 390 | IP68 | Yes | 5 |
| 4118 NHU-294 | 134.0 | 48 | 36...56 | 57.0 | 6.5 | Yes | 11.0 | 4400 | -20...55 | 400 | IP68 | Yes | 2 |
| 4118 N/2H4PU | 206.0 | 48 | 36...60 | 67.0 | 7.0 | Yes | 34.0 | 6800 | -20...65 | 400 | IP68 | Yes | 4 |

Curves



Curves



*4114 N/2HU-272 has AWG 20 lead wires
**Mounting hole diameter is 0.146 (3.7 ± 0.15) on the 4114NX versions