



DC axial fans

Series 3200 JU 92 x 92 x 38 mm



Highlights:

- Motor protection against reverse polarity and locking.
- Air exhaust over struts
- Connection via 310 mm strands AWG 24, TR 64, bared and tin-plated
- Ingress protection rating of IP68

Material: Housing: Fiberglass-reinforced PBT composite
Impeller: Fiberglass-reinforced PA composite

Direction of rotation: Clockwise, seen on rotor



DC axial fans

Series 3250 JU 92 x 92 x 38 mm



Highlights:

- Motor protection against reverse polarity and locking.
- Air exhaust over struts
- Connection via 310 mm strands AWG 24, TR 64, bared and tin-plated
- Ingress protection rating of IP68

Material: Housing: Fiberglass-reinforced PBT composite
Impeller: Fiberglass-reinforced PA composite

Direction of rotation: Clockwise, seen on rotor

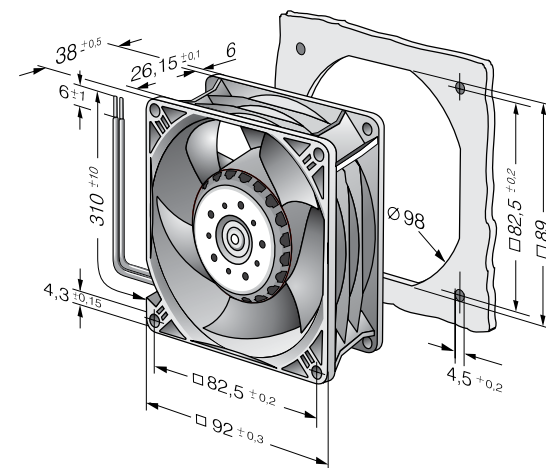
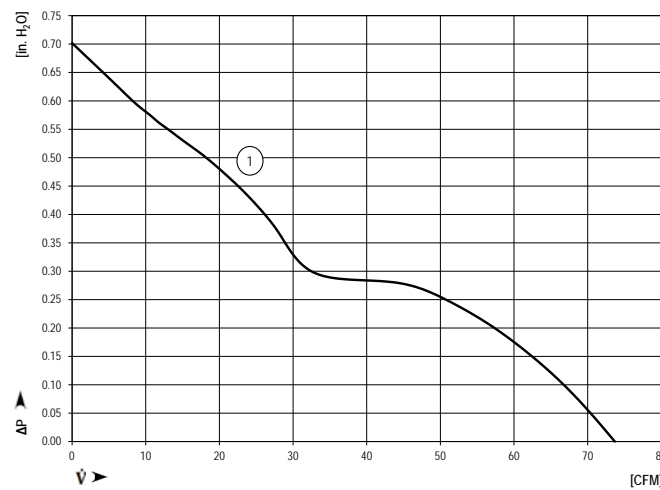
Nominal Data

Type	Air flow CFM	Nominal voltage VDC	Voltage range VDC	Sound pressure level dB(A)	Sound power level Bel(A)	Ball bearings	Power input Watts	Speed RPM	Temperature range °C	Mass g	Ingress Protection Rating	UL Approval	Curves
3212J/2NU-343	76.5	12	7...13.8	51	6.0	Yes	8.1	6000	-20...60	240	IP68	Yes	1

Nominal Data

Type	Air flow CFM	Nominal voltage VDC	Voltage range VDC	Sound pressure level dB(A)	Sound power level Bel(A)	Ball bearings	Power input Watts	Speed RPM	Temperature range °C	Mass g	Ingress Protection Rating	UL Approval	Curves
3252 J/2H3PU	158.0	12	7...13.2	64	7.6	Yes	35.0	7450	-20...70	240	IP68	Yes	3
3254 J/2HPU	85.0	24	14...26.4	46	5.8	Yes	7.0	4100	-20...70	240	IP68	Yes	1
3258 J/2HPU	85.0	48	36...56.0	46	5.8	Yes	7.0	4100	-20...70	240	IP68	Yes	1
3258 J/2HHPU	138.0	48	36...56.0	59	7.0	Yes	24.3	6650	-20...70	240	IP68	Yes	2
3258 J/2H3PU	158.0	48	36...56.0	64	7.6	Yes	33.6	7450	-20...70	240	IP68	Yes	3

Curves



Curves

