



DC axial fans

Series 8400 NU 80 x 80 x 25 mm



Highlights:

- Motor protection against reverse polarity and locking.
- Air exhaust over struts
- Connection via 310 mm strands AWG 24, TR 64, bared and tin-plated
- Ingress protection rating of IP68

Material: Housing: Fiberglass-reinforced PBT composite
Impeller: Fiberglass-reinforced PA composite

Direction of rotation: Counterclockwise, seen on rotor



DC axial fans

Series 8300 U 80 x 80 x 32 mm



Highlights:

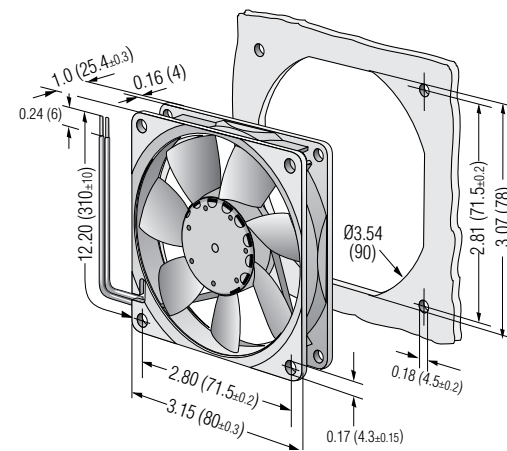
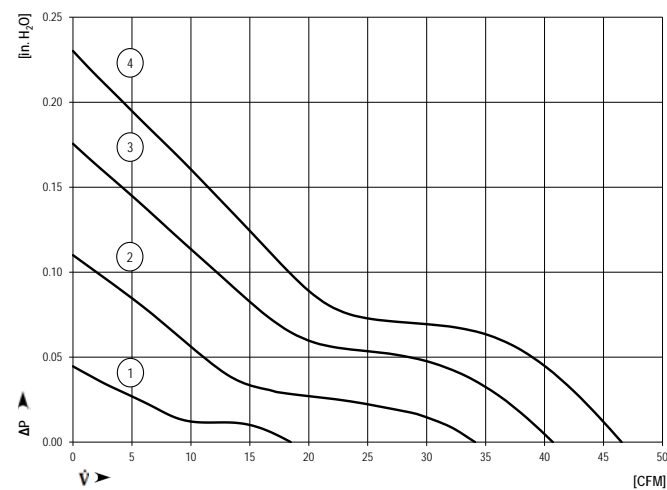
- Motor protection against reverse polarity and locking.
- Air exhaust over struts
- Connection via 310 mm strands AWG 22, TR 64, bared and tin-plated
- Ingress protection rating of IP68

Material: Housing: Fiberglass-reinforced PBT composite
Impeller: Fiberglass-reinforced PA composite

Direction of rotation: Clockwise, seen on rotor

| Nominal Data | | | | | | | | | | | | | | Nominal Data | | | | | | | | | | | | | | |
|--------------|-----------------|------------------------|----------------------|-------------------------------|-----------------------------|---------------|----------------------|--------------|-------------------------|-----------|---------------------------|-------------|--------|--------------|-----------------|------------------------|----------------------|-------------------------------|-----------------------------|---------------|----------------------|--------------|-------------------------|-----------|---------------------------|-------------|--------|--|
| Type | Air flow CFM | Nominal voltage VDC | Voltage range VDC | Sound pressure level dB(A) | Sound power level Bel(A) | Ball bearings | Power input Watts | Speed RPM | Temperature range °C | Mass g | Ingress Protection Rating | UL Approval | Curves | Type | Air flow CFM | Nominal voltage VDC | Voltage range VDC | Sound pressure level dB(A) | Sound power level Bel(A) | Ball bearings | Power input Watts | Speed RPM | Temperature range °C | Mass g | Ingress Protection Rating | UL Approval | Curves | |
| 8414 NLU | 19.4 | 24 | 18...28 | 17 | 3.7 | Yes | 0.8 | 1500 | -20...70 | 95 | IP68 | Yes | 1 | 8314 U | 31.8 | 24 | 12...31.5 | 36 | 5.2 | Yes | 2.7 | 3300 | -20...75 | 210 | IP68 | Yes | 1 | |
| 8414 NMU | 34.1 | 24 | 18...28 | 27 | 4.4 | Yes | 1.4 | 2600 | -20...70 | 95 | IP68 | Yes | 2 | 8312 HLU | 39.4 | 12 | 6...15 | 43 | 5.8 | Yes | 4.0 | 4200 | -20...75 | 210 | IP68 | Yes | 2 | |
| 8412 NU | 40.6 | 12 | 8...15 | 32 | 4.7 | Yes | 1.7 | 3100 | -20...70 | 95 | IP68 | Yes | 3 | 8314 HU | 47.1 | 24 | 12...28 | 48 | 6.2 | Yes | 6.2 | 5000 | -20...65 | 210 | IP68 | Yes | 3 | |
| 8414 NHU | 46.5 | 24 | 18...26 | 37 | 5.0 | Yes | 2.4 | 3600 | -20...65 | 95 | IP68 | Yes | 4 | | | | | | | | | | | | | | | |

Curves



Curves

