

IP68
RATING

DC axial fans

Series 600 NU 60 x 60 x 25 mm



Highlights:

- Motor protection against reverse polarity and locking.
- Air exhaust over struts
- Connection via 310 mm strands AWG 22, TR 64, bared and tin-plated
- Ingress protection rating of IP68

Material: Housing: Fiberglass-reinforced PBT composite
Impeller: Fiberglass-reinforced PA composite

Direction of rotation: Clockwise, seen on rotor

IP68
RATING

DC axial fans

Series 630 U 60 x 60 x 25 mm



Highlights:

- Motor protection against reverse polarity and locking.
- Air exhaust over struts
- Connection via 310 mm strands AWG 22, TR 64, bared and tin-plated
- Ingress protection rating of IP68

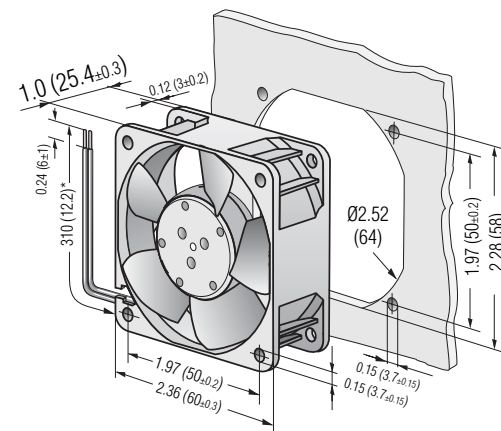
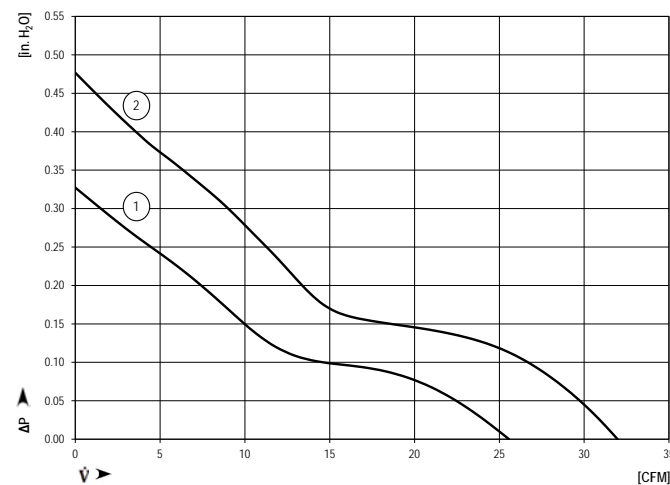
Material: Housing: Fiberglass-reinforced PBT composite
Impeller: Fiberglass-reinforced PA composite

Direction of rotation: Clockwise, seen on rotor

Nominal Data		Air flow	Nominal voltage	Voltage range	Sound pressure level	Sound power level	Ball bearings	Power input	Speed	Temperature range	Mass	Ingress Protection Rating	UL Approval	Curves
Type		CFM	VDC	VDC	dB(A)	Bel(A)		Watts	RPM	°C	g			
612 NHU-181		25.3	12	8...15	37	5.3	Yes	1.8	5600	-20...70	66	IP68	Yes	1
614 NHU		25.3	24	18...26	37	5.3	Yes	2.1	5600	-20...70	66	IP68	Yes	1
614 NHHU-286		33.0	24	18...26	41	5.7	Yes	2.9	6850	-20...70	66	IP68	Yes	2

Nominal Data		Air flow	Nominal voltage	Voltage range	Sound pressure level	Sound power level	Ball bearings	Power input	Speed	Temperature range	Mass	Ingress Protection Rating	UL Approval	Curves
Type		CFM	VDC	VDC	dB(A)	Bel(A)		Watts	RPM	°C	g			
632 NU		23.5	12	6...15	34	5.1	Yes	1.8	5900	-20...70	70	IP68	Yes	1
634 NU-004*		23.5	24	12...30	34	5.1	Yes	1.6	5900	-20...70	70	IP68	Yes	1
632/2HPU		25.9	12	11...13	35	5.4	Yes	1.5	6300	-20...70	70	IP68	Yes	2
634 HHU		34.1	24	18...28	44	6.1	Yes	3.2	8500	-20...70	70	IP68	Yes	3
634/2HHPU		34.1	24	18...28	44	6.1	Yes	3.2	8500	-20...70	70	IP68	Yes	3

Curves



Curves

