



DC axial fans

Series 6300 U Ø172 x 51 mm



DC axial fans

Series 6400 U 172 x 150 x 51 mm



Highlights:

- Motor protection against reverse polarity and locking.
- Air exhaust over struts
- Connection via leads 365 mm AWG 22, TR 64, bared and tin-plated
- Ingress protection rating of IP68

Material: Housing: Die-cast aluminum
Impeller: Fiberglass-reinforced PA composite

Direction of rotation: Counterclockwise, seen on rotor



Highlights:

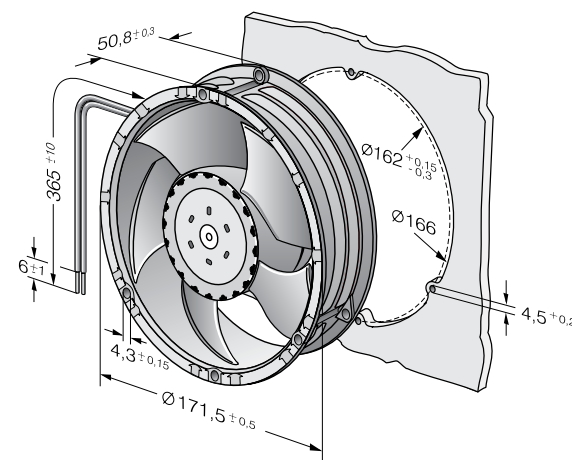
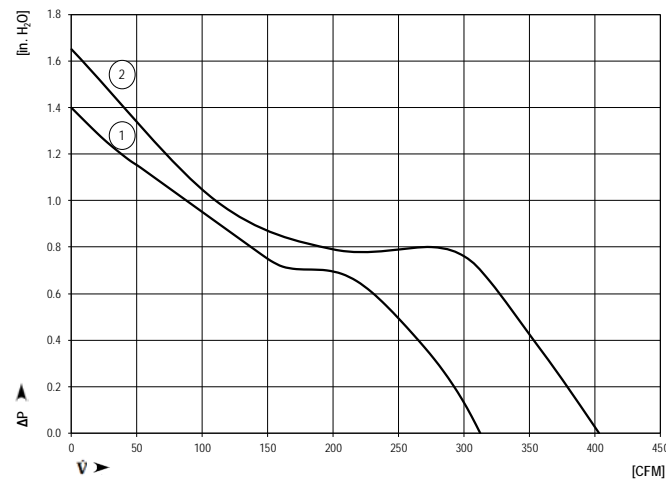
- Motor protection against reverse polarity and locking.
- Air exhaust over struts
- Connection via leads 310 mm AWG 22, TR 64, bared and tin-plated
- Ingress protection rating of IP68

Material: Housing: Die-cast aluminum
Impeller: Fiberglass-reinforced PA composite

Direction of rotation: Counterclockwise, seen on rotor

Nominal Data														Nominal Data													
Type	Air flow CFM	Nominal voltage VDC	Voltage range VDC	Sound pressure level dB(A)	Sound power level Bel(A)	Ball bearings	Power input Watts	Speed RPM	Temperature range °C	Mass g	Ingress Protection Rating	UL Approval	Curves	Type	Air flow CFM	Nominal voltage VDC	Voltage range VDC	Sound pressure level dB(A)	Sound power level Bel(A)	Ball bearings	Power input Watts	Speed RPM	Temperature range °C	Mass g	Ingress Protection Rating	UL Approval	Curves
6314 HU-227	321.0	24	16...30	58	6.9	Yes	31	5000	-20...50	910	IP68	Yes	1	6424/2U	241.3	24	12...28	57	6.4	Yes	17	3400	-20...67	870	IP68	Yes	2
6318/2 HPU-216	321.0	48	36...60	58	6.9	Yes	31	5000	-20...65	910	IP68	Yes	1	6424 MU	206.0	24	12...32	52	6.0	Yes	12	2850	-20...72	760	IP68	Yes	1
6318 N/2H3PU	403.0	48	36...72	-	7.5	Yes	53	5000	-20...70	935	IP68	Yes	2	6448 U	241.3	48	28...60	57	6.4	Yes	17	3400	-20...67	870	IP68	Yes	2
														6424 HU	283.0	24	12...28	63	7.1	Yes	26	4000	-20...55	870	IP68	Yes	3

Curves



Curves

