

Radial blowers with EC internal-rotor motor

NRG 118 - 24 VDC



Material:

- housing: aluminium
- impeller: anti-static plastic
- motor protection cap: plastic

Interface:

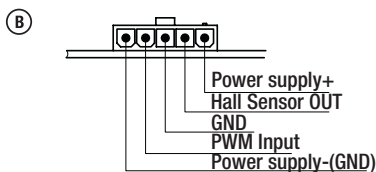
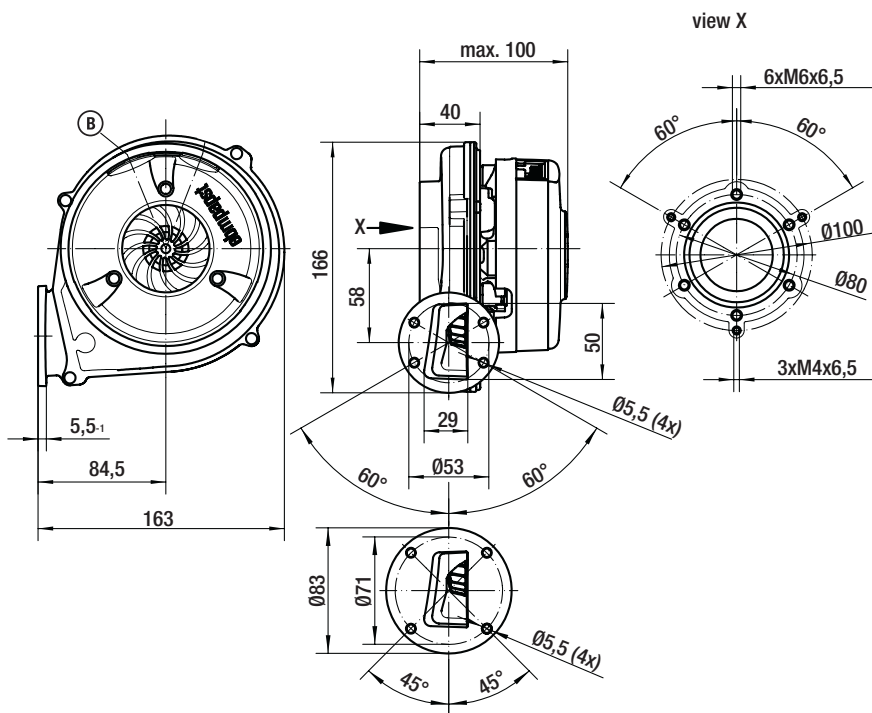
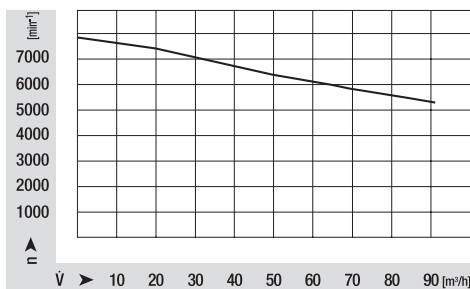
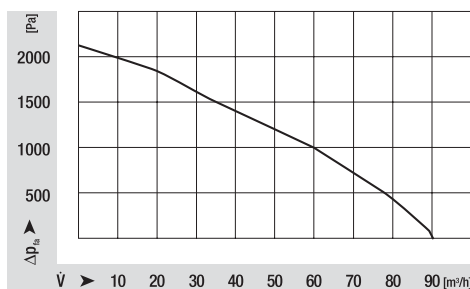
- interfaces see page 85, no. 1
- standard interface 24 VDC
- special interfaces upon request

ebm-papst • Landshut

Nominal data	characteristic curve	rated voltage	frequency	max. air flow	max. pressure increase	max. power input	max. speed	electrical connection	mass
type		V	Hz	m ³ /h	Pa	W	min ⁻¹		kg
NRG118		24 DC	-	90	2150	53	7800	ⓑ	0,9

bold print = standard type; subject to alterations

Characteristic curves



suitable for connector housing Molex Mini-Fit, Jr part no. 39-01-4050 and 39-01-4051