



Nominal data

| Type | ACI 4400 H | |
|--------------------------|-------------------|------------|
| Nominal voltage range | VAC | 100 .. 240 |
| Frequency | Hz | 50/60 |
| Speed (rpm) | min ⁻¹ | 3000 |
| Power consumption | W | 3.8 |
| Min. ambient temperature | °C | -40 |
| Max. ambient temperature | °C | 75 |
| Air flow | m ³ /h | 160 |
| Sound power level | B | 5.2 |
| Sound pressure level | dB(A) | 39 |

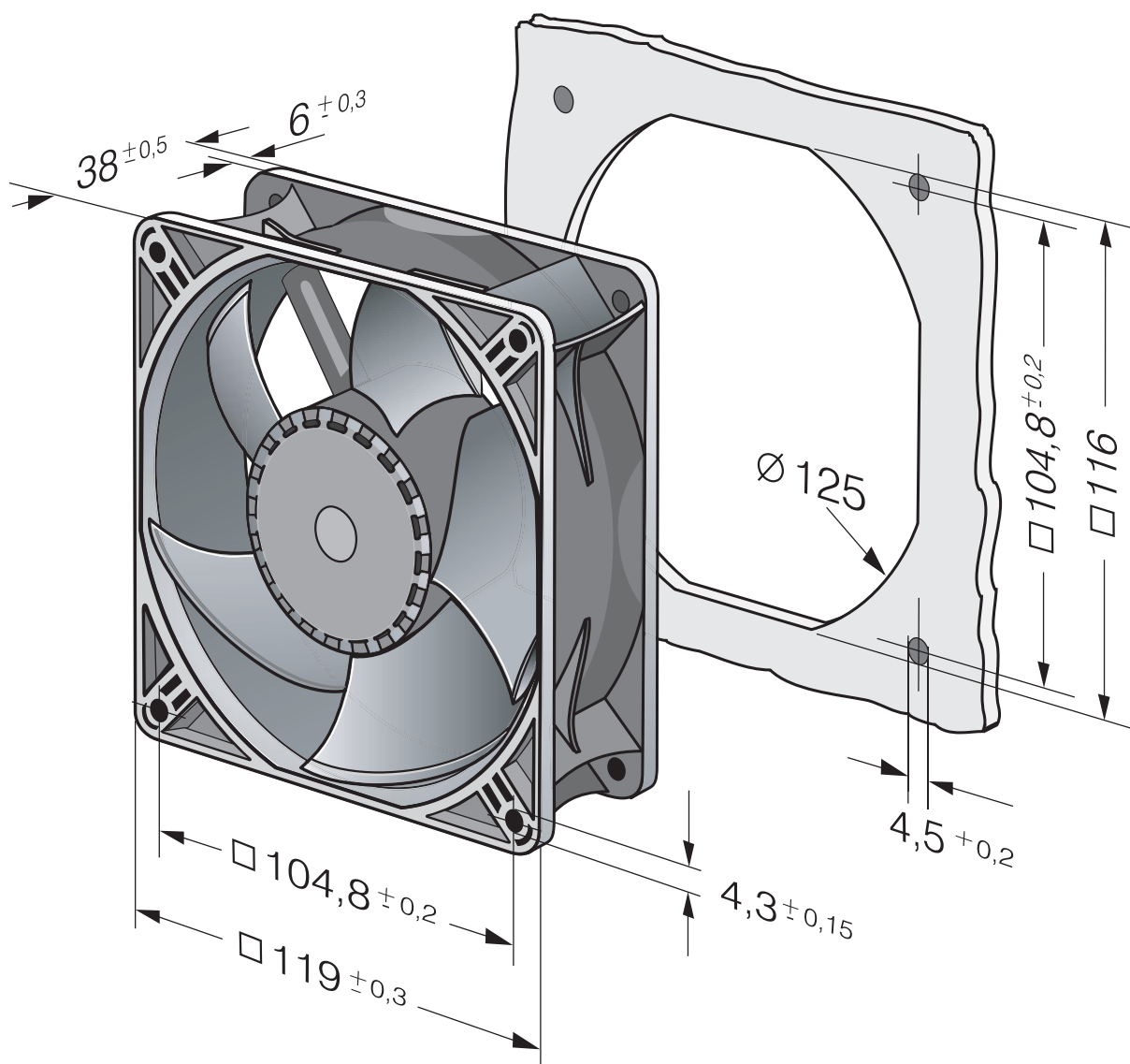
ml = Max. load · me = Max. efficiency · fa = Free air · cs = Customer specification · ce = Customer equipment
Subject to change

Technical description

| | |
|--|------------------------------------|
| Weight | 0.25 kg |
| Dimensions | 119 x 119 x 38 mm |
| Impeller material | Glass-fiber reinforced PA plastic |
| Housing material | Glass-fiber reinforced PBT plastic |
| Part no. | 9203509506 |
| Airflow direction | Exhaust over struts |
| Direction of rotation | Clockwise, viewed toward rotor |
| Bearing | Ball bearing |
| Service life L10 at 40 °C | 65000 h |
| Service life L10 at maximum temperature | 25000 h |
| Cable | 2 flat plugs 2.8 x 0.5 mm |



Product drawing



Curves

