



Nominal data

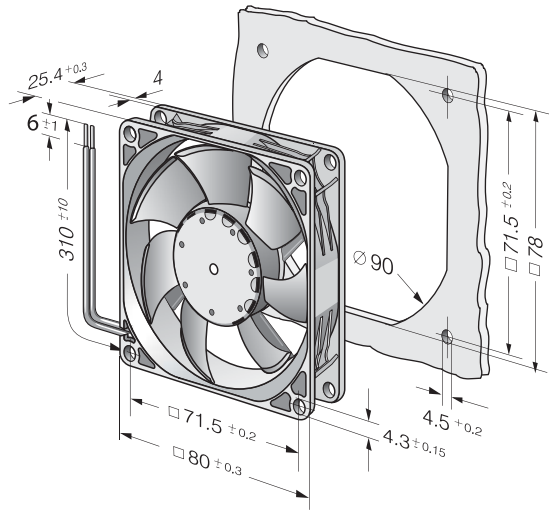
Type	8452/2 HHP	
Nominal voltage	VDC	12
Nominal voltage range	VDC	10,8 .. 13,2
Speed (rpm)	min ⁻¹	4400
Power consumption	W	3.5
Min. ambient temperature	°C	-20
Air flow	m ³ /h	83
Sound power level	B	5.5
Sound pressure level	dB(A)	42

ml = Max. load · me = Max. efficiency · fa = Free air · cs = Customer specification · ce = Customer equipment
Subject to change

Technical description

Weight	0.105 kg
Dimensions	80 x 80 x 25 mm
Impeller material	Glass-fiber reinforced PA plastic
Housing material	Glass-fiber reinforced PBT plastic
Part no.	929507012
Airflow direction	Exhaust over struts
Direction of rotation	Counterclockwise, viewed toward rotor
Bearing	Ball bearing
Service life L10 at 40 °C	65000 h
Service life L10 at maximum temperature	40000 h
Cable	With leads AWG 24, TR 64

Product drawing



Curves

