

AC axial fans

A series, Ø 300



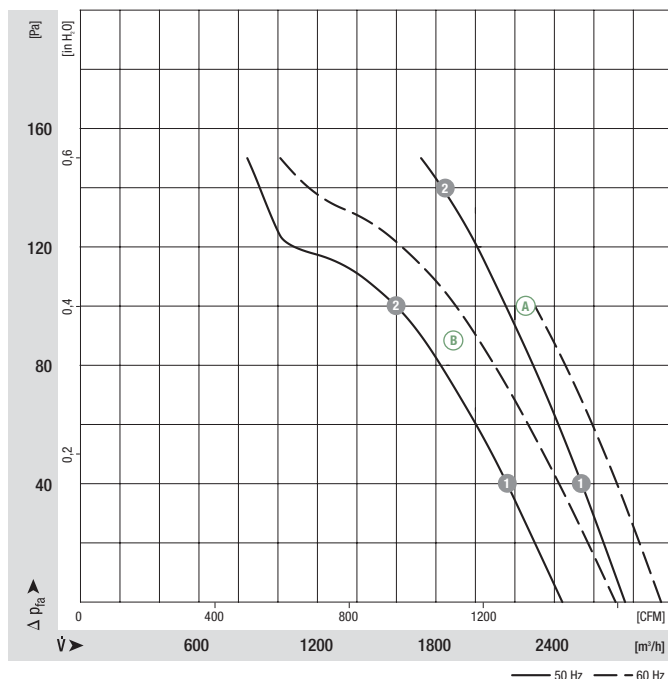
- **Material:** Guard grille: Steel, phosphated and coated in black plastic
Wall ring: Sheet steel, pre-galvanised and coated in black plastic
Blades: Sheet steel, coated in black
Rotor: Coated in black
- **Number of blades:** 5
- **Direction of rotation:** Direction of air flow "V" counter-clockwise, direction of air flow "A" clockwise, seen on rotor
- **Type of protection:** IP 44
- **Insulation class:** "B"
- **Mounting position:** Shaft horizontal or rotor on bottom; rotor on top on request
- **Condensate discharges:** Rotor-side
- **Mode of operation:** Continuous operation (S1)
- **Bearings:** Maintenance-free ball bearings

Nominal data		Curve	Nominal voltage	Frequency	Air flow	Speed/rpm	Power input	Current draw	Capacitor	Sound pressure level	Max. operative range	Perm. amb. temp.	Mass without attachments	Electr. connection
Type	Motor	VAC	Hz	m³/h	rpm	W	A	µF/VDB	dB(A)	Pa	°C	kg	p. 416 f.	
*2D 300 ⁽¹⁾	M2D 068-EC	Ⓐ 3~	230/400	50	2760	2650	180	0.54/0.31	—	76	150	-25 to +60	2.7	C1)/C2)
		3~	230/400	60	2940	2800	270	0.71/0.41	—	77	100	-25 to +40		
*2E 300	M2E 068-EC	Ⓑ 1~	230	50	2440	2650	140	0.62	5.0/400	75	150	-25 to +55	2.5	A1)
		1~	230	60	2700	2900	190	0.83	5.0/400	78	150	-25 to +50		
*4D 300 ⁽¹⁾	M4D 068-DF	Ⓒ 3~	230/400	50	1740	1370	85	0.36/0.21	—	66	100	-25 to +55	2.3	C1)/C2)
		3~	230/400	60	1910	1520	110	0.38/0.22	—	69	110	-25 to +40		
*4E 300	M4E 068-DF	Ⓓ 1~	230	50	1690	1350	95	0.44	3.0/400	65	120	-25 to +45	2.3	A1)
		1~	230	60	1830	1450	105	0.47	2.0/400	66	100	-25 to +40		
*4S 300	M4S 068-DF	Ⓔ 1~	230	50	1440	1380	94	0.67	—	62	75	-25 to +30	2.1	B)
		1~	230	60	1600	1550	94	0.67	—	64	60	-25 to +40		

subject to alterations

(1) 230 VAC Δ / 400 VAC Y

Curves

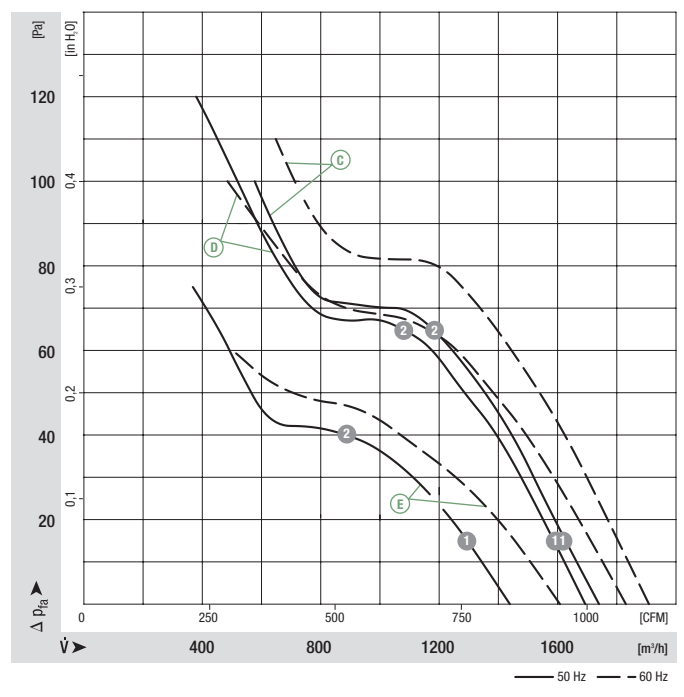


	n [rpm]	P ₁ [W]	I [A]
Ⓐ 1	2610	190	0.32
Ⓐ 2	2535	220	0.35
Ⓑ 1	2600	149	0.66
Ⓑ 2	2530	162	0.71

- **Motor protection:** (A) (C) Without TOP, (B) (D) (E) TOP wired internally
- **Cable exit:** (A) (C) (E) Lateral, (B) (D) variable
- **Protection class:** I
- **Product conforming to standards:** EN 60335-1, (B) (D) (E) also CE
- **Approvals:** (A) (C) CCC, (B) GOST

Direction of air flow			
	Without attachments	With full round nozzle	With guard grille for full nozzle
"V" "A"	A2D 300-AD02 -01 A2D 300-AD02 -02	W2D 300-CD02 -01 W2D 300-CD02 -02	S2D 300-BD02 -01 S2D 300-BD02 -02
"V" "A"	A2E 300-AC47 -01 A2E 300-AC47 -02	W2E 300-CC47 -01 W2E 300-CC47 -02	S2E 300-BC47 -01 S2E 300-BC47 -02
"V" "A"	A4D 300-AA02 -01 A4D 300-AA02 -02	W4D 300-CA02 -01 W4D 300-CA02 -02	S4D 300-BA02 -01 S4D 300-BA02 -02
"V" "A"	A4E 300-AA01 -01 A4E 300-AA01 -02	W4E 300-CA01 -01 W4E 300-CA01 -02	S4E 300-BA01 -01 S4E 300-BA01 -02
"V" "A"	A4S 300-AA02 -01 A4S 300-AA02 -02	W4S 300-CA02 -01 W4S 300-CA02 -02	S4S 300-BA02 -01 S4S 300-BA02 -02

Curves



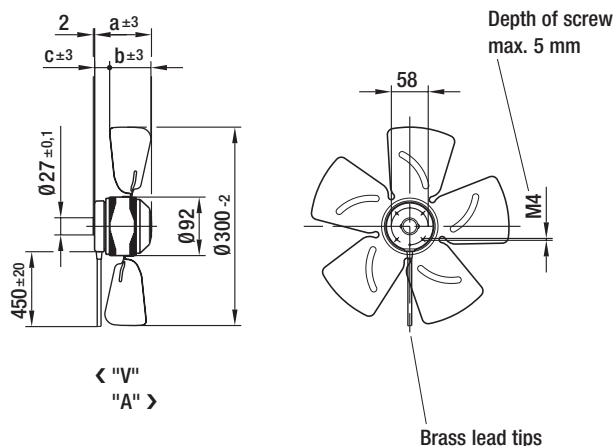
	n [rpm]	P ₁ [W]	I [A]
(C) 1	1360	86	0.21
(C) 2	1345	94	0.22
(D) 1	1345	96	0.43
(D) 2	1315	101	0.45
(E) 1	1375	92	0.67
(E) 2	1360	94	0.67

AC axial fans

A series, Ø 300, drawings of directions of air flow "V" and "A"



Without attachments

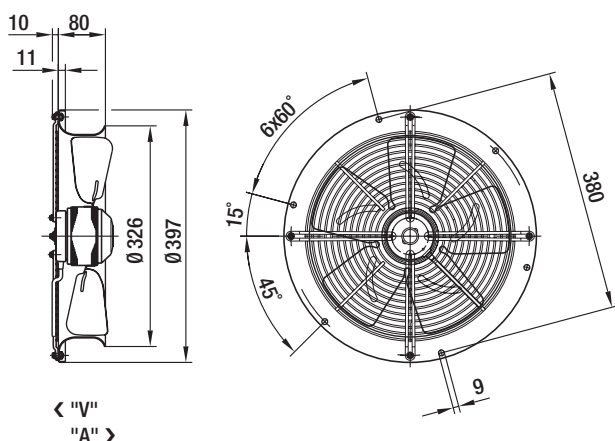


Type

Type		a	b	c
A2D 300-AD02 -01	"V"	101.0	30.0	32.0
A2D 300-AD02 -02	"A"	101.0	30.0	32.0
A2E 300-AC47 -01	"V"	98.0	20.0	30.0
A2E 300-AC47 -02	"A"	98.0	20.0	30.0
A4D 300-AA02 -01	"V"	83.0	56.0	20.0
A4D 300-AA02 -02	"A"	83.0	56.0	20.0
A4E 300-AA01 -01	"V"	83.0	56.0	20.0
A4E 300-AA01 -02	"A"	83.0	56.0	20.0
A4S 300-AA02 -01	"V"	83.0	30.0	20.0
A4S 300-AA02 -02	"A"	83.0	30.0	20.0



With full round nozzle

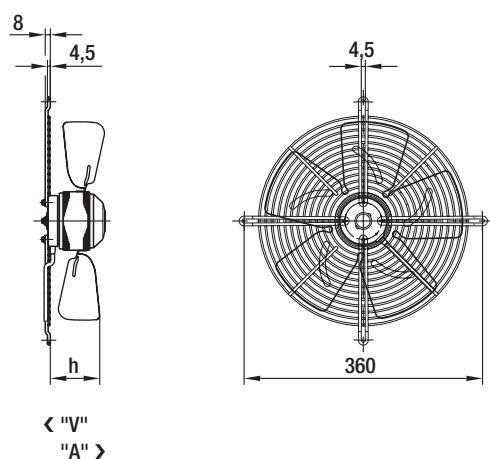


Type

W2D 300-CD02 -01	"V"
W2D 300-CD02 -02	"A"
W2E 300-CC47 -01	"V"
W2E 300-CC47 -02	"A"
W4D 300-CA02 -01	"V"
W4D 300-CA02 -02	"A"
W4E 300-CA01 -01	"V"
W4E 300-CA01 -02	"A"
W4S 300-CA02 -01	"V"
W4S 300-CA02 -02	"A"



With guard grille for full nozzle



Type

Type		h
S2D 300-BD02 -01	"V"	64.0
S2D 300-BD02 -02	"A"	64.0
S2E 300-BC47 -01	"V"	50.0
S2E 300-BC47 -02	"A"	37.0
S4D 300-BA02 -01	"V"	73.0
S4D 300-BA02 -02	"A"	73.0
S4E 300-BA01 -01	"V"	73.0
S4E 300-BA01 -02	"A"	73.0
S4S 300-BA02 -01	"V"	52.0
S4S 300-BA02 -02	"A"	52.0