



 Ghisa EN-GJL-250

 Fonte EN-GJL-250

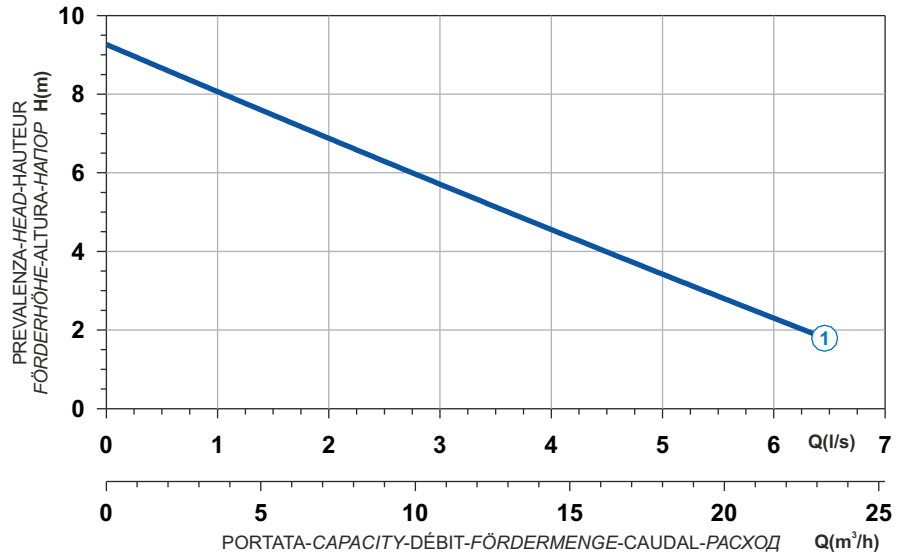
 Hierro fundido EN-GJL-250

 Cast Iron EN-GJL-250


 Grauguss EN-GJL-250

 Чугун EN-GJL-250

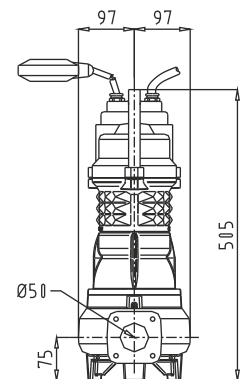
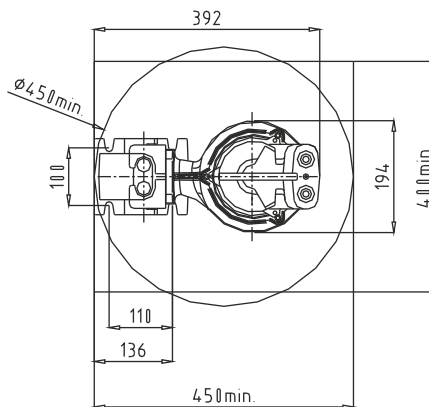
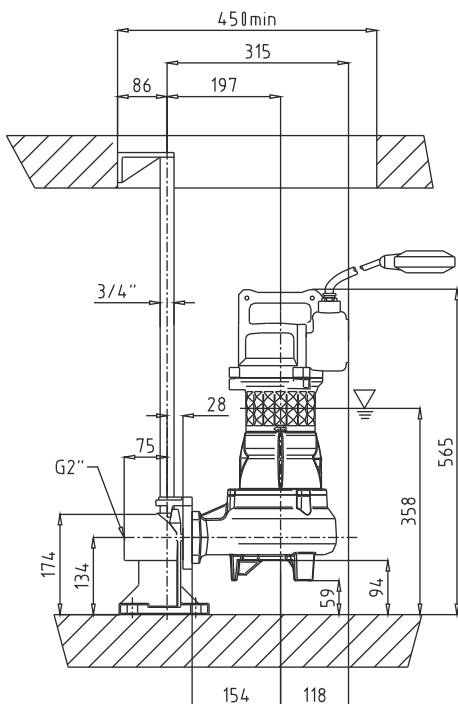
Curva caratteristica - Performance curve - Courbe caractéristique
Kennlinie - Curva característica - Характеристическая кривая



Power supply	1ph 230V 50Hz
R.P.M.	2850
Free passage (mm)	48
Discharge (mm)	DN 50
Max Weight (Kg)	31

Curve N°	Code	Type	MOTOR			ATEX code 
			Rated power P2 (kW)	Rated current I (A)	Starting current Is (A)	
1	7000814	G272M3V2-K48AB1	1,1	6,6	24,4	-

Dimensioni - Dimensions - Dimensions - Abmessungen - Dimensiones - Габариты (mm)



▽ LIVELLO MINIMO DI SOMMERGIBILITÀ
MINIMUM SUBMERSIBLE LEVEL
NIVEAU MINIMUM D'IMMERSION
MINDESTWASSERSTAND
NIVEL SUMERGIBLE MÍNIMO
МИНИМАЛЬНАЯ ГЛУБИНА ПОГРУЖЕНИЯ