



### Nominal data

Type	4318 NH3	
Nominal voltage	VDC	48
Nominal voltage range	VDC	36 .. 52,8
Speed (rpm)	min <sup>-1</sup>	4050
Power consumption	W	11.5
Min. ambient temperature	°C	-20
Max. ambient temperature	°C	65
Air flow	m <sup>3</sup> /h	285
Sound power level	B	6.6
Sound pressure level	dB(A)	55

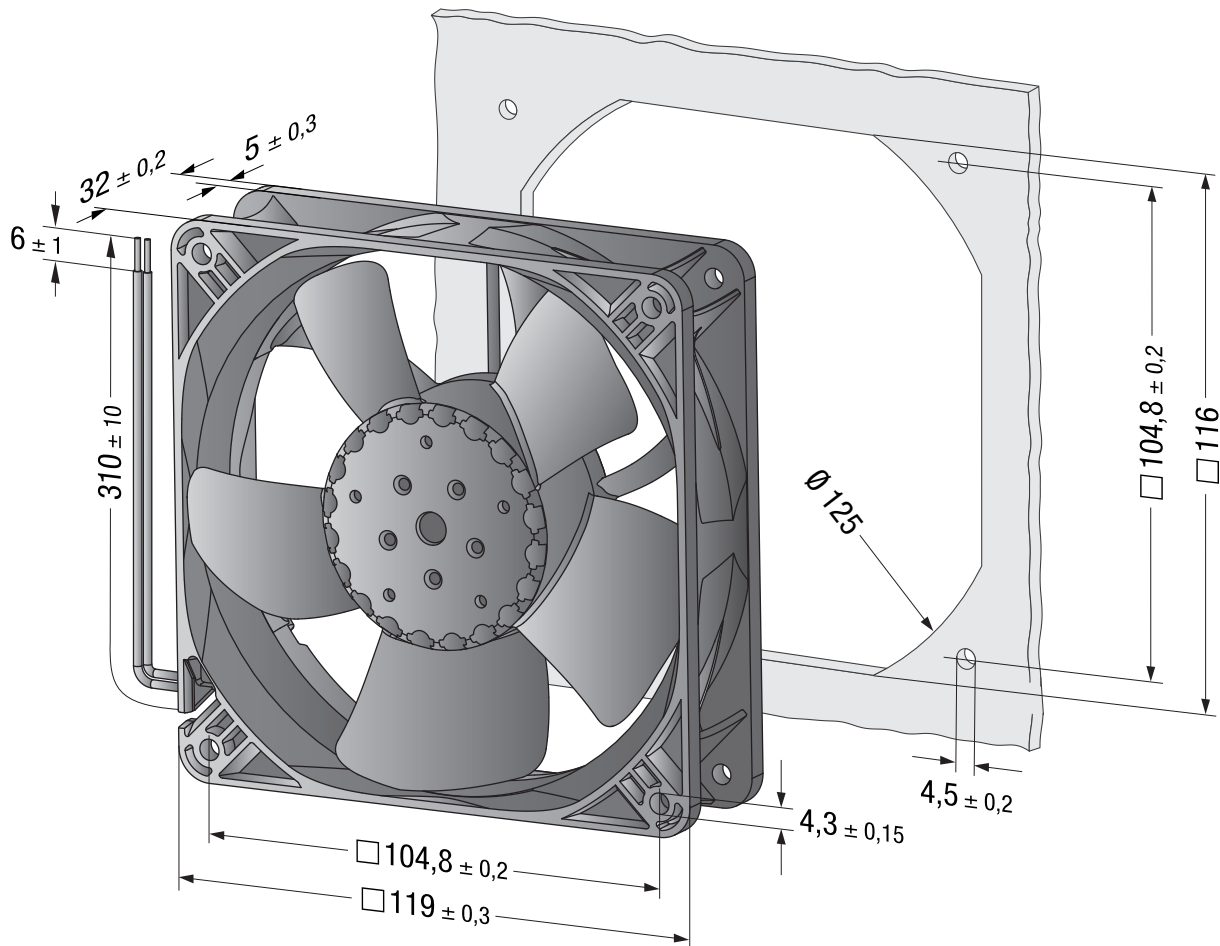
ml = Max. load · me = Max. efficiency · fa = Free air · cs = Customer specification · ce = Customer equipment  
Subject to change

**Technical description**

<b>Weight</b>	0.250 kg
<b>Dimensions</b>	119 x 119 x 32 mm
<b>Part no.</b>	9293510739
<b>Airflow direction</b>	Exhaust over struts
<b>Direction of rotation</b>	Clockwise, viewed toward rotor
<b>Degree of protection</b>	IP54
<b>Service life L10 at 40 °C</b>	45000 h
<b>Service life L10 at maximum temperature</b>	17500 h
<b>Cable</b>	With leads AEWG 24, TR 64



## Product drawing



## Curves

