



### Nominal data

Type	4312 NHH	
Nominal voltage	VDC	12
Nominal voltage range	VDC	6 .. 14,4
Speed (rpm)	min <sup>-1</sup>	3600
Power consumption	W	10.7
Min. ambient temperature	°C	-20
Max. ambient temperature	°C	70
Air flow	m <sup>3</sup> /h	250
Sound power level	B	6.2
Sound pressure level	dB(A)	51

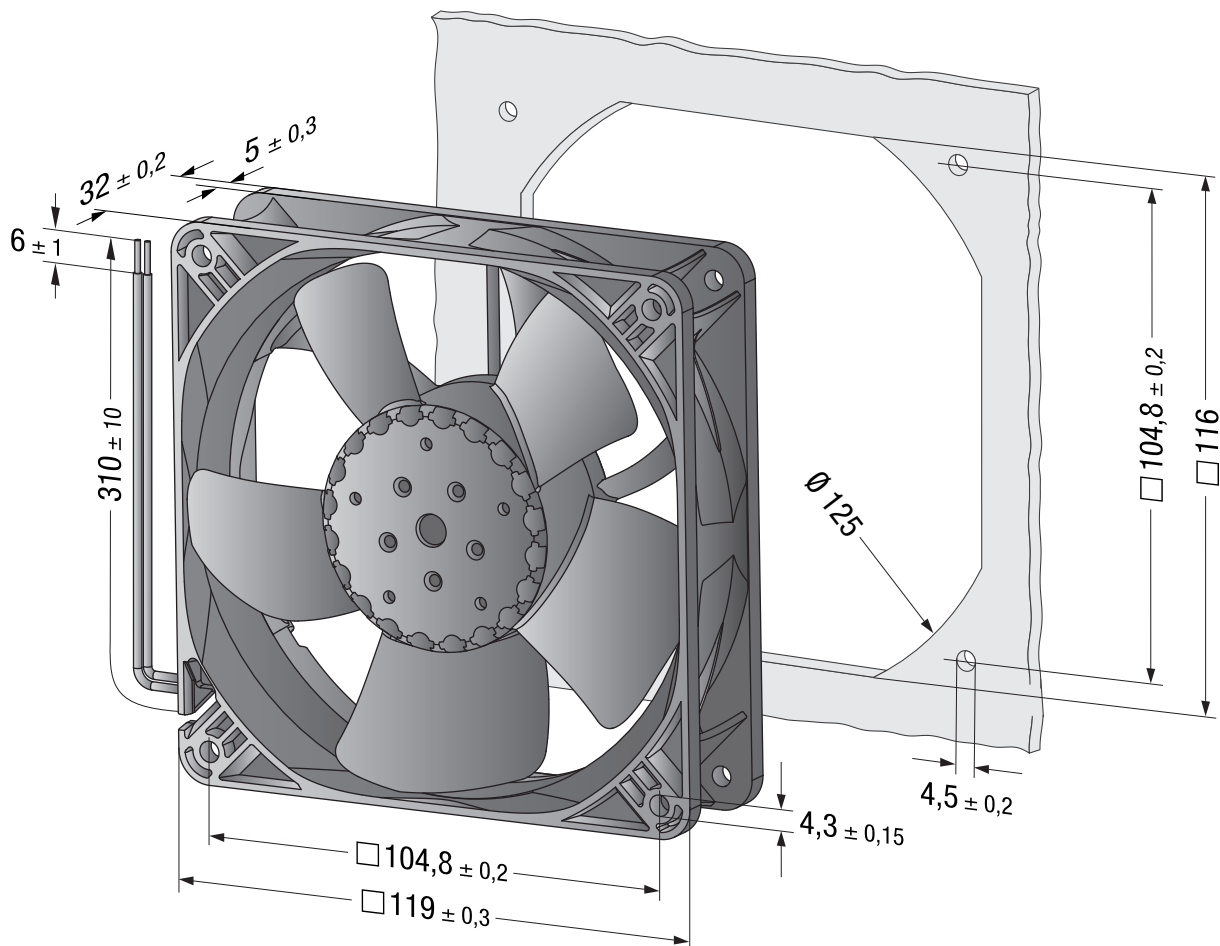
ml = Max. load · me = Max. efficiency · fa = Free air · cs = Customer specification · ce = Customer equipment  
Subject to change

**Technical description**

<b>Weight</b>	0.25 kg
<b>Dimensions</b>	119 x 119 x 32 mm
<b>Impeller material</b>	Glass-fiber reinforced PA plastic
<b>Housing material</b>	Glass-fiber reinforced PBT plastic
<b>Part no.</b>	9293510745
<b>Airflow direction</b>	Exhaust over struts
<b>Direction of rotation</b>	Clockwise, viewed toward rotor
<b>Bearing</b>	Ball bearing
<b>Service life L10 at 40 °C</b>	52.500 h
<b>Service life L10 at maximum temperature</b>	27.500 h
<b>Cable</b>	Leads AWG 24, TR 64
<b>Approval</b>	VDE, CSA, UL, CE



## Product drawing



## Curves

