



### Nominal data

| Type                     | 4530 N            |      |
|--------------------------|-------------------|------|
| Phase                    |                   | 1~   |
| Nominal voltage          | VAC               | 115  |
| Frequency                | Hz                | 60   |
| Speed (rpm)              | min <sup>-1</sup> | 2700 |
| Power consumption        | W                 | 16.0 |
| Min. ambient temperature | °C                | -10  |
| Max. ambient temperature | °C                | 65   |
| Air flow                 | m <sup>3</sup> /h | 151  |
| Sound power level        | B                 | 5.4  |
| Sound pressure level     | dB(A)             | 45   |

ml = Max. load · me = Max. efficiency · fa = Free air · cs = Customer specification · ce = Customer equipment  
Subject to change

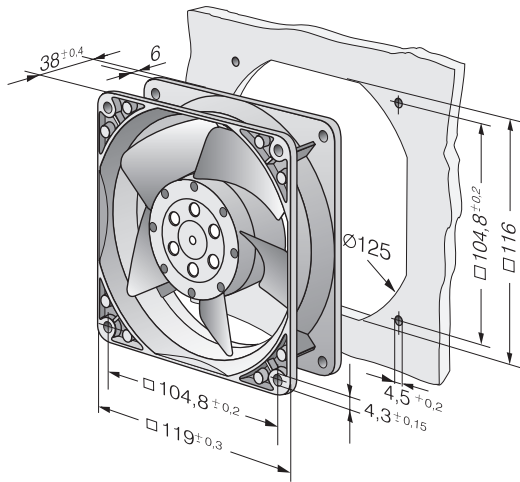


**Technical description**

|                                                |                                                                                |
|------------------------------------------------|--------------------------------------------------------------------------------|
| <b>Weight</b>                                  | 0.550 kg                                                                       |
| <b>Dimensions</b>                              | 119 x 119 x 38 mm                                                              |
| <b>Impeller material</b>                       | Sheet steel, painted black                                                     |
| <b>Housing material</b>                        | Die-cast aluminum                                                              |
| <b>Airflow direction</b>                       | Intake over struts                                                             |
| <b>Direction of rotation</b>                   | Clockwise, viewed toward rotor                                                 |
| <b>Storage</b>                                 | Sintec sleeve bearing                                                          |
| <b>Service life L10 at 40 °C</b>               | 42500 h                                                                        |
| <b>Service life L10 at maximum temperature</b> | 25000 h                                                                        |
| <b>Cable</b>                                   | 2 flat plugs 3.0 x 0.5 mm. Housing with grounding lugs with M4 and UNC thread. |
| <b>Motor protection</b>                        | Protected from overload by impedance protection                                |
| <b>Approval</b>                                | VDE, CSA, UL, CE                                                               |
| <b>Option</b>                                  | Versions with reinforced mounting flanges and exposed external leads.          |



## Product drawing



## Curves: Air performance

