



Nominal data

| Type | 8412 NGMV | |
|--------------------------|-------------------|---------|
| Nominal voltage | VDC | 12 |
| Nominal voltage range | VDC | 8 .. 14 |
| Speed | min ⁻¹ | 2600 |
| Power input | W | 2.0 |
| Min. ambient temperature | °C | -20 |
| Max. ambient temperature | °C | 70 |
| Air flow | m ³ /h | 58 |
| Sound power level | B | 4.3 |
| Sound pressure level | dB(A) | 26 |

ml = Max. load · me = Max. efficiency · fa = Running at free air · cs = Customer specs · cu = Customer unit
Subject to alterations

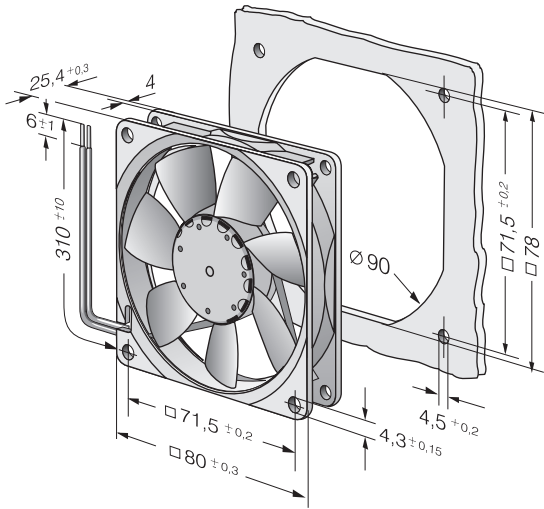


Technical features

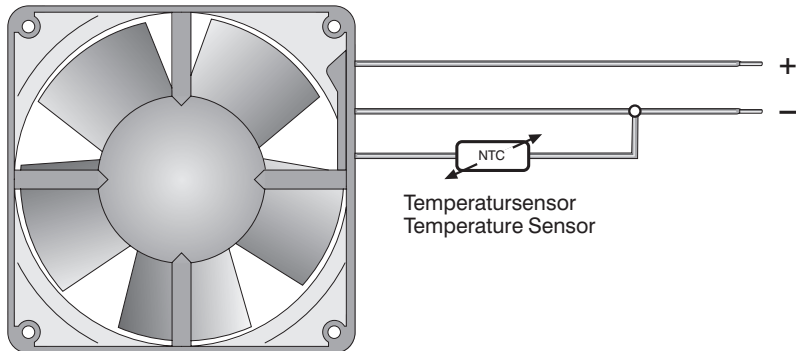
| | |
|--|---|
| Mass | 0.095 kg |
| Dimensions | 80 x 80 x 25 mm |
| Material of impeller | Fiberglass-reinforced PA plastic |
| Housing material | Fiberglass-reinforced PBT plastic |
| Direction of air flow | Air exhaust over bars |
| Direction of rotation | Left, looking at rotor |
| Bearing | Sintec sleeve bearing |
| Lifetime L10 at 40 °C | 80000 h |
| Lifetime L10 at maximum temperature | 35000 h |
| Connection line | Single strands AWG 24, TR 64, bared and tin-plated. |
| Motor protection | Protected against reverse polarity and locking. |
| Locked-rotor protection | Blocking and overload protection |
| Approval | VDE, CSA, UL, CE |



Product drawing



Connection screen



Charts: Air flow

