



Nominal data

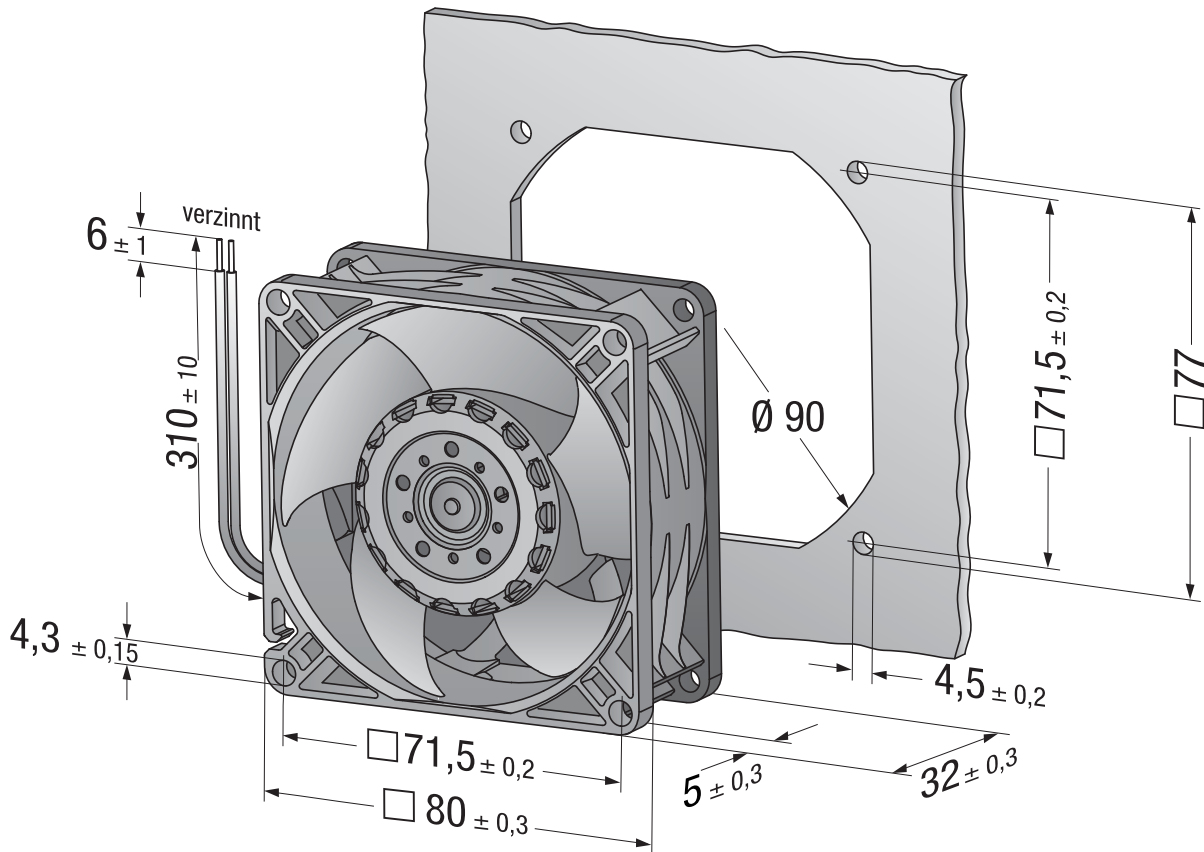
| Type | 8314 NH | |
|--------------------------|-------------------|----------|
| Nominal voltage | V | 24 |
| Nominal voltage range | V | 12 .. 28 |
| Speed (rpm) | min ⁻¹ | 5300 |
| Power consumption | W | 3.6 |
| Min. ambient temperature | °C | -20 |
| Max. ambient temperature | °C | 75 |
| Air flow | m ³ /h | 80 |
| Sound power level | B | 5.5 |
| Sound pressure level | dB(A) | 42 |

ml = Max. load · me = Max. efficiency · fa = Free air · cs = Customer specification · ce = Customer equipment
Subject to change

Technical description

| | |
|--|---------------------------------------|
| Weight | 0.16 kg |
| Dimensions | 80 x 80 x 32 mm |
| Impeller material | Glass-fiber reinforced PA plastic |
| Housing material | Glass-fiber reinforced PBT plastic |
| Part no. | 9292910127 |
| Airflow direction | Exhaust over struts |
| Direction of rotation | Counterclockwise, viewed toward rotor |
| Bearing | Ball bearing |
| Service life L10 at 40 °C | 82500 h |
| Service life L10 at maximum temperature | 32500 h |
| Cable | With leads AWG 26, TR 64 |

Product drawing



Curves

