



Nominal data

Type	4312 NH	
Nominal voltage	VDC	12
Nominal voltage range	VDC	6 .. 15
Speed (rpm)	min ⁻¹	3150
Power consumption	W	4.5
Min. ambient temperature	°C	-20
Max. ambient temperature	°C	75
Air flow	m ³ /h	220
Sound power level	B	5.8
Sound pressure level	dB(A)	47

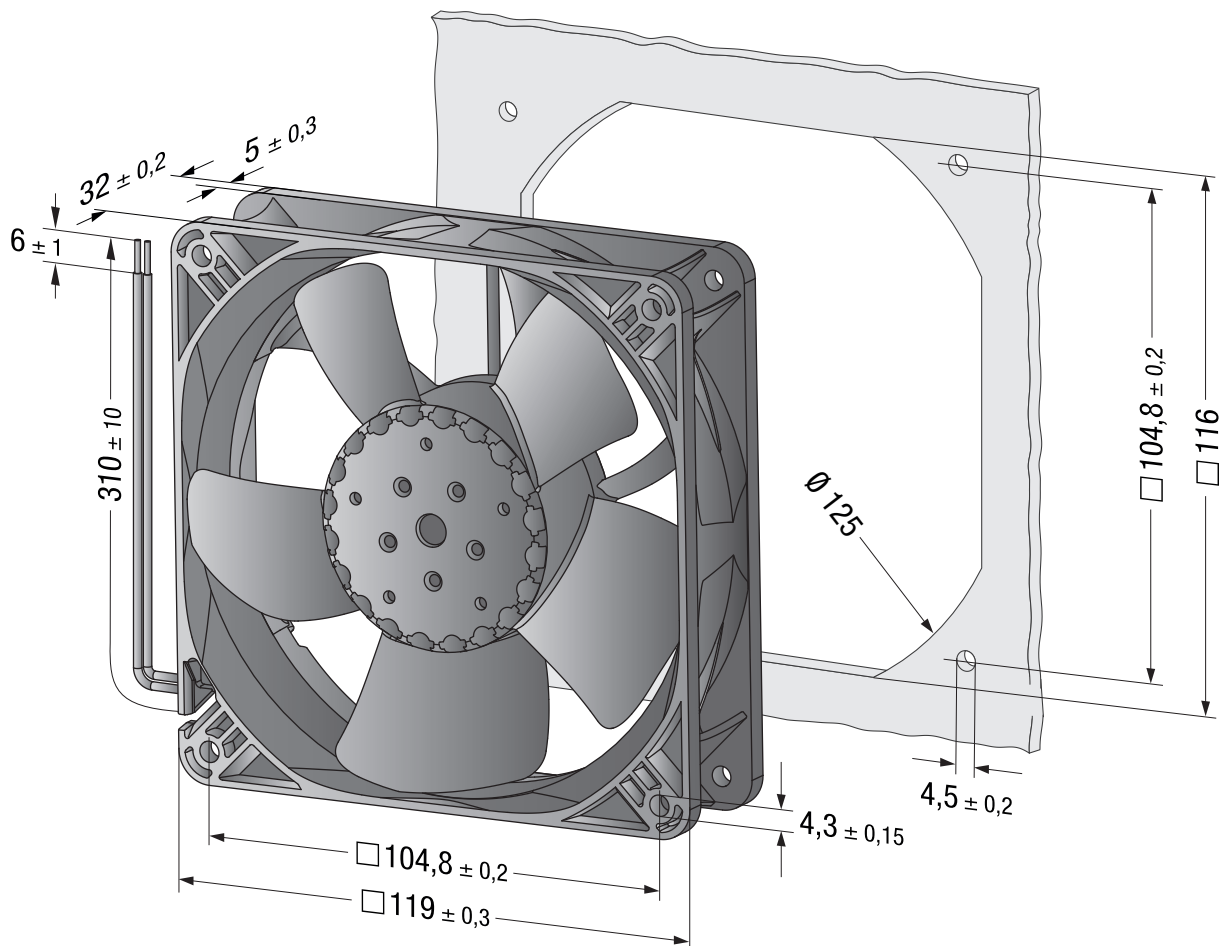
ml = Max. load · me = Max. efficiency · fa = Free air · cs = Customer specification · ce = Customer equipment
Subject to change

Technical description

Weight	0.25 kg
Dimensions	119 x 119 x 32 mm
Impeller material	Glass-fiber reinforced PA plastic
Housing material	Glass-fiber reinforced PBT plastic
Part no.	9293510703
Airflow direction	Exhaust over struts
Direction of rotation	Clockwise, viewed toward rotor
Storage	Ball bearing
Service life L10 at 40 °C	62.500 h
Service life L10 at maximum temperature	25.000 h
Cable	With leads AWG 24, TR 64
Approval	VDE, CSA, UL, CE



Product drawing



Curves

