



Nominal data

| Type | 3314 NM | |
|--------------------------|-------------------|----------|
| Nominal voltage | VDC | 24 |
| Nominal voltage range | VDC | 12 .. 28 |
| Speed (rpm) | min ⁻¹ | 2250 |
| Power consumption | W | 1.2 |
| Min. ambient temperature | °C | -20 |
| Max. ambient temperature | °C | 75 |
| Air flow | m ³ /h | 68 |
| Sound power level | B | 4.3 |
| Sound pressure level | dB(A) | 29 |

ml = Max. load · me = Max. efficiency · fa = Free air · cs = Customer specification · ce = Customer equipment
Subject to change

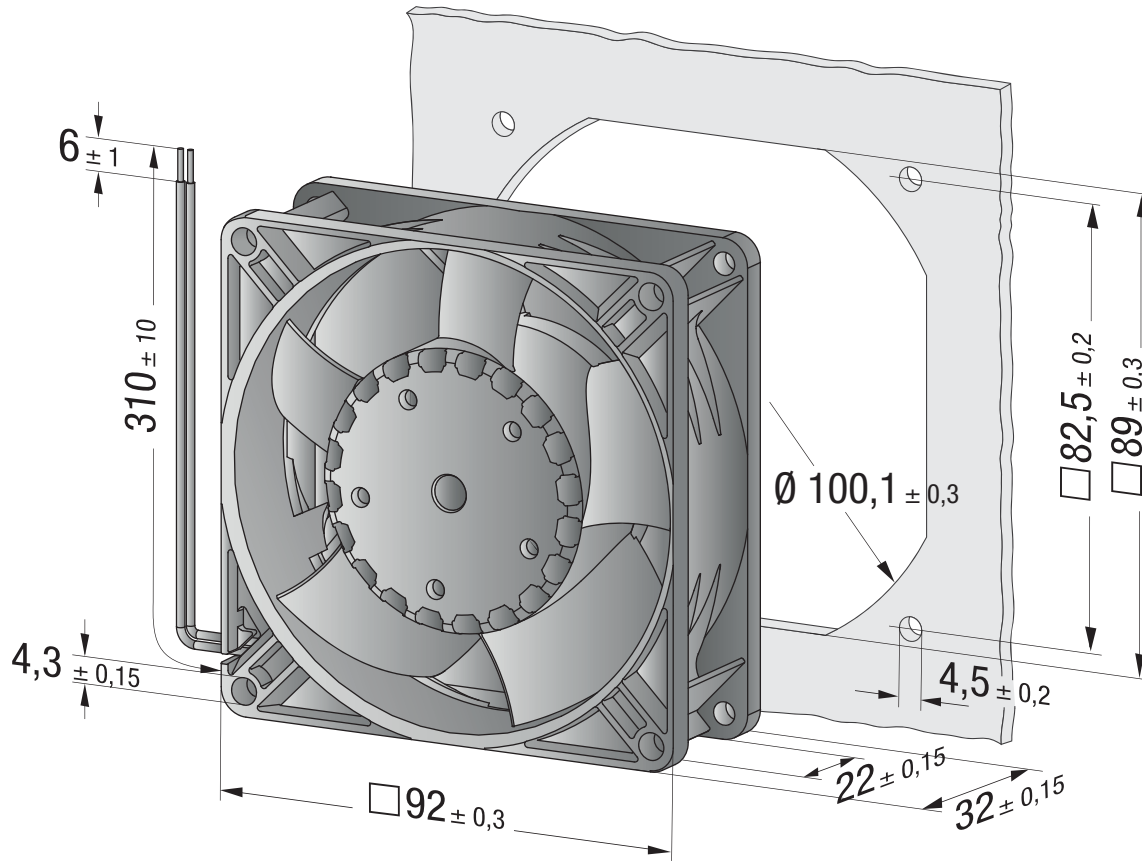


Technical description

| | |
|--|------------------------------------|
| Weight | 0.19 kg |
| Dimensions | 92 x 92 x 32 mm |
| Impeller material | Glass-fiber reinforced PA plastic |
| Housing material | Glass-fiber reinforced PBT plastic |
| Airflow direction | Exhaust over struts |
| Direction of rotation | Clockwise, viewed toward rotor |
| Bearing | Ball bearing |
| Service life L10 at 40 °C | 87500 h |
| Service life L10 at maximum temperature | 35000 h |
| Cable | With leads AWG 24, UL 1061 |



Product drawing



Curves

