

Model : ASHA18GBCH / ASHA24GBCH
 ASHA030GTEH / ASHA034GTEH



ASHA18/24GBCH



ASHA030/034GTEH

Specifications

Model name			ASHA18GBCH	ASHA24GBCH	ASHA030GTEH	ASHA034GTEH
Power source			Single phase, ~230V, 50Hz			
Capacity	Cooling	kW	5.6	7.1	9.0	10.0
	Heating		6.3	8.0	10.0	11.2
Input power		W	32	60	74	103
Airflow rate	High	m ³ /h	840	1,100	1,440	1,620 / 1,520
	Med-H		-	-	1,200	1,300
	Med		770	910	1,050	1,120
	Med-L		-	-	940	980
	Low		690	730	890	890
	Quiet		-	-	700	700
Sound pressure level	High	dB(A)	41	48	53	55 / 54
	Med-H		-	-	49	51
	Med		39	43	45	47
	Med-L		-	-	42	43
	Low		35	35	39	39
	Quiet		-	-	33	33
Net Dimensions (H × W × D)		mm	320 × 998 × 238	320 × 998 × 238	340 × 1,150 × 280	340 × 1,150 × 280
Weight		kg(lbs)	15 (33)	15 (33)	18 (40)	18 (40)
Connection pipe diameter	Liquid (Flare)	mm	6.35	9.52	9.52	9.52
	Gas (Flare)		12.70	15.88	15.88	15.88
Drain hose diameter (I.D./O.D.)			12/16		13.8/15.8 to16.7	

Note : Specifications are based on the following conditions.

Cooling : Indoor temperature of 27°CDB / 19°CWB, and outdoor temperature of 35°CDB / 24°CWB.

Heating : Indoor temperature of 20°CDB / (15°CWB), and outdoor temperature of 7°CDB / 6°CWB.

Pipe length : 7.5 m; Height difference between outdoor unit and indoor unit : 0 m. Voltage : 230 [V].

When ASHA18GBCH is connected to the outdoor unit other than J-IVL, pipe diameter should be Ø9.52/Ø15.88 (Liq/Gas).

Optional parts

External Power Supply Unit : UTZ-GXXA (030/034)

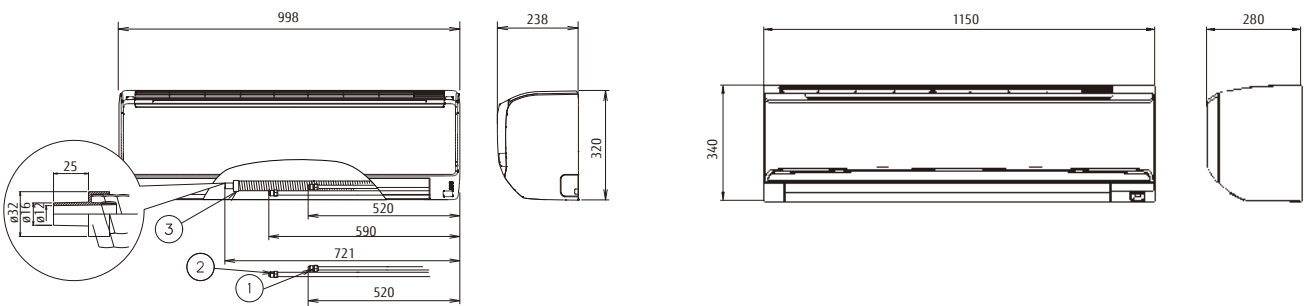
Wireless LAN Interface : UTY-TFSXZ1 (030/034)

Dimensions

(Unit : mm)

Models: ASHA18 / ASHA24

Models: ASHA030 / ASHA034



- ① Refrigerant piping flare connection (Liquid)
- ② Refrigerant piping flare connection (Gas)
- ③ Drain piping connection